

# TECHNICAL FORM

Request a free sizing and quote for the most suitable propeller for your vessel



## 1. CLIENT

Name  Phone  Email

## 2. VESSEL

Model  Weight  Waterline Length

## 3. ENGINE

Engine model  Maximum Power   
 Engine Max RPM  Reduction Ratio  Propeller Max RPM

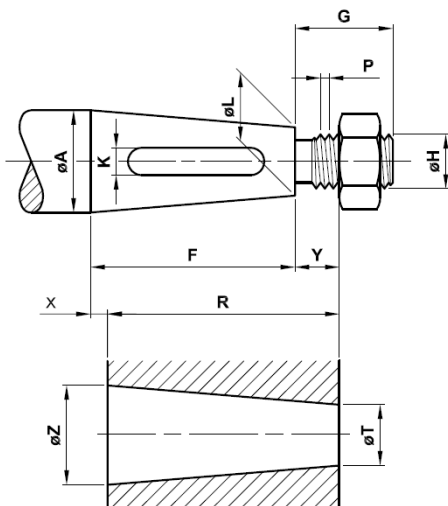
## 4. EXISTING PROPELLER (if present)

Diameter  Pitch   
 Type:  fixed  feathering  folding  2 blades  3 blades  4 blades  5 blades  
 Eventual problems with the existing propeller

## 5. REQUESTED MAX PROP PROPELLER

Diameter   2 blades  3 blades  4 blades  5 blades  
 Coupling  taper  Saildrive  
 Direction of rotation  left-hand  right-hand

## 6. TAPERED SHAFT DIMENSIONS

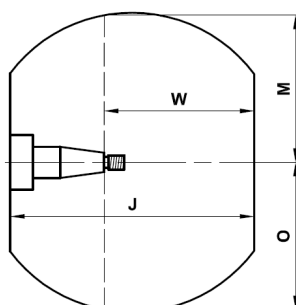


$\phi A =$    $G =$    
 $F =$    $\phi H =$    
 $\phi L =$    $P =$    
 $K =$

Taper = 1 :  $\frac{F}{A - L}$   
 ISO standard **1 : 10**   
 English standard **1 : 12**   
 SAE standard **1 : 16**   
 Special **1 :**

*If it is not possible to find this data, we will be glad to help you with the information at your disposal.*

## 7. SPACE AVAILABLE



$M =$    
 $O =$    
 $W =$    
 $J =$

### MAX PROP SRL

Viale Carlo Spinasse, 101 - 20156 Milano - Italy | [www.maxprop.it](http://www.maxprop.it) | [info@maxprop.it](mailto:info@maxprop.it)  
 Tel. +39 02.33.40.43.25 - Fax +39 02.38.000.791 | P.IVA 07610270154

